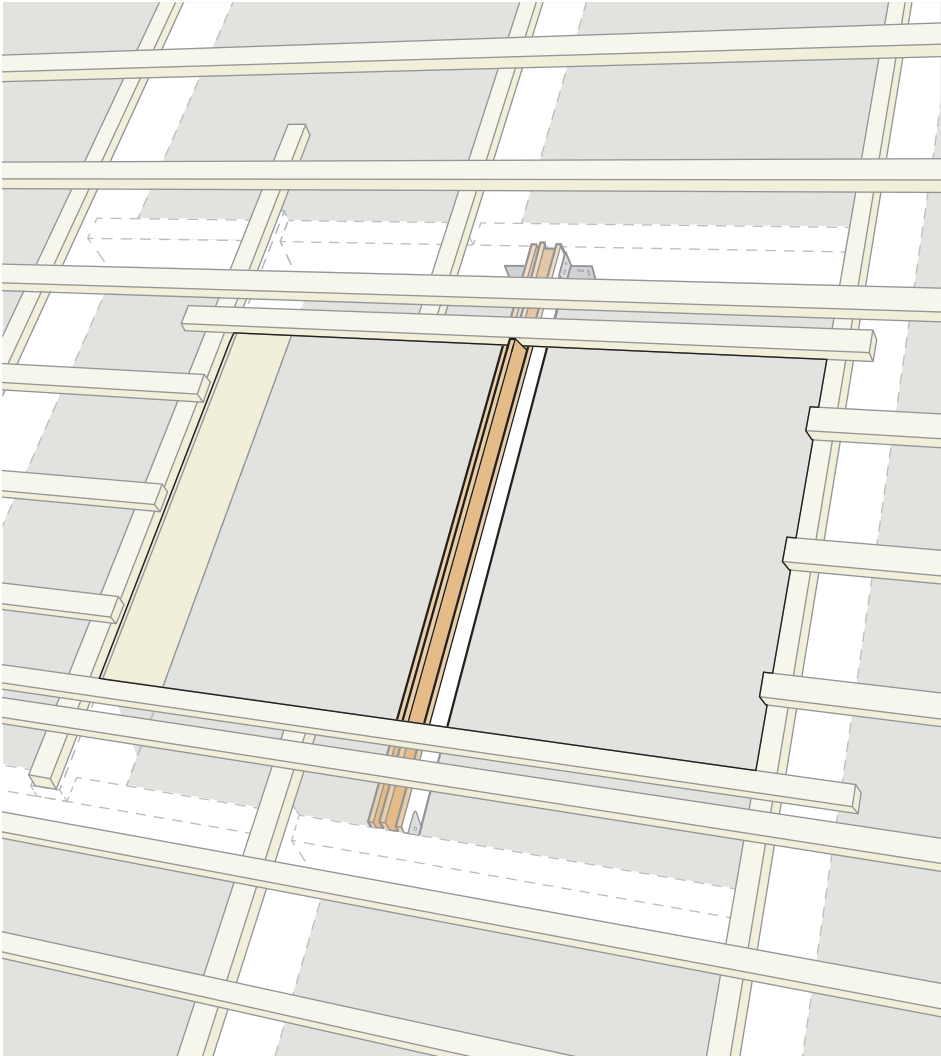
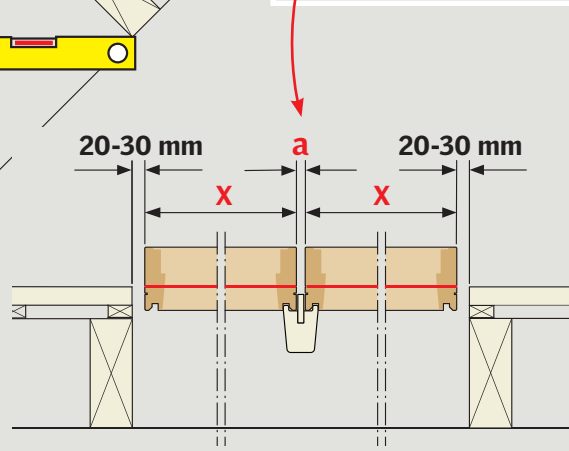
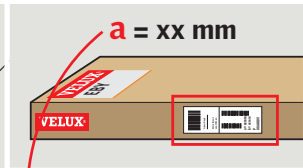
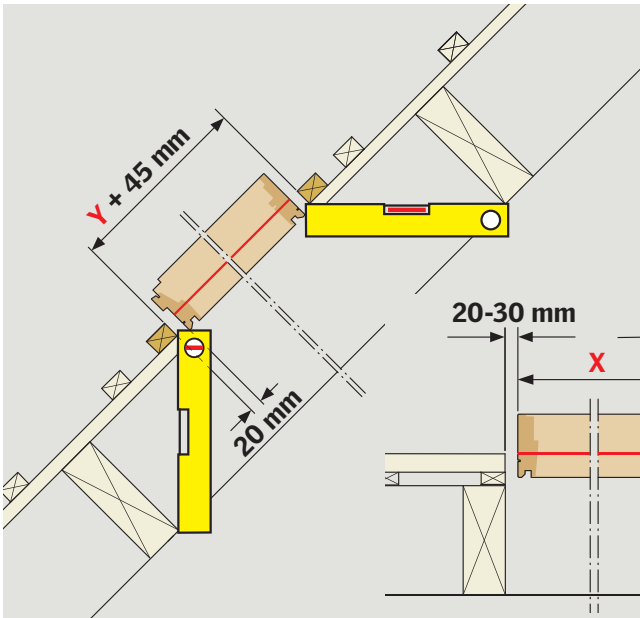
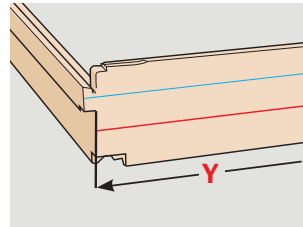
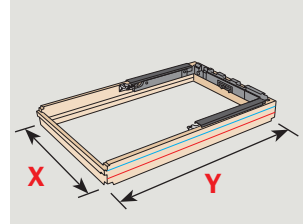
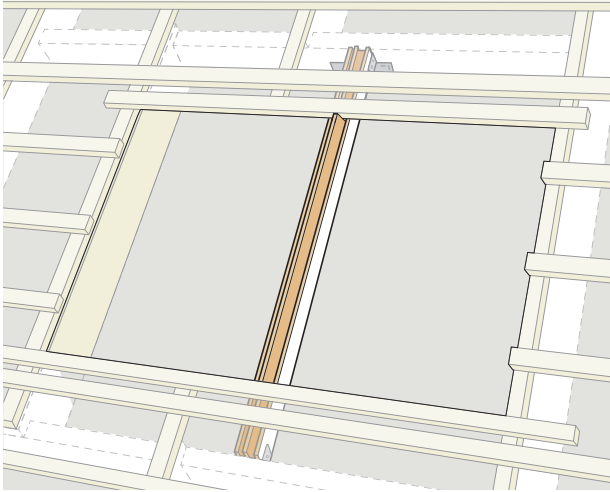
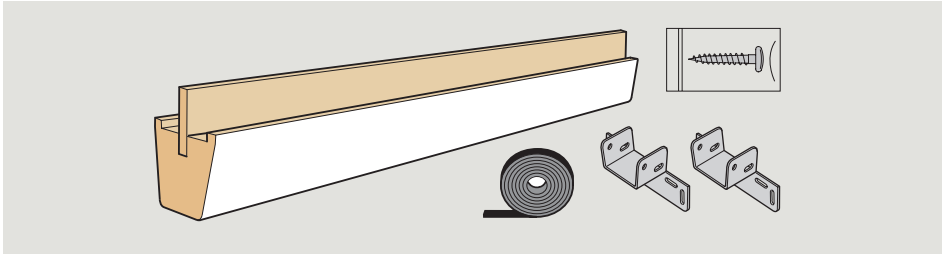




# EBY+BDX+BFX

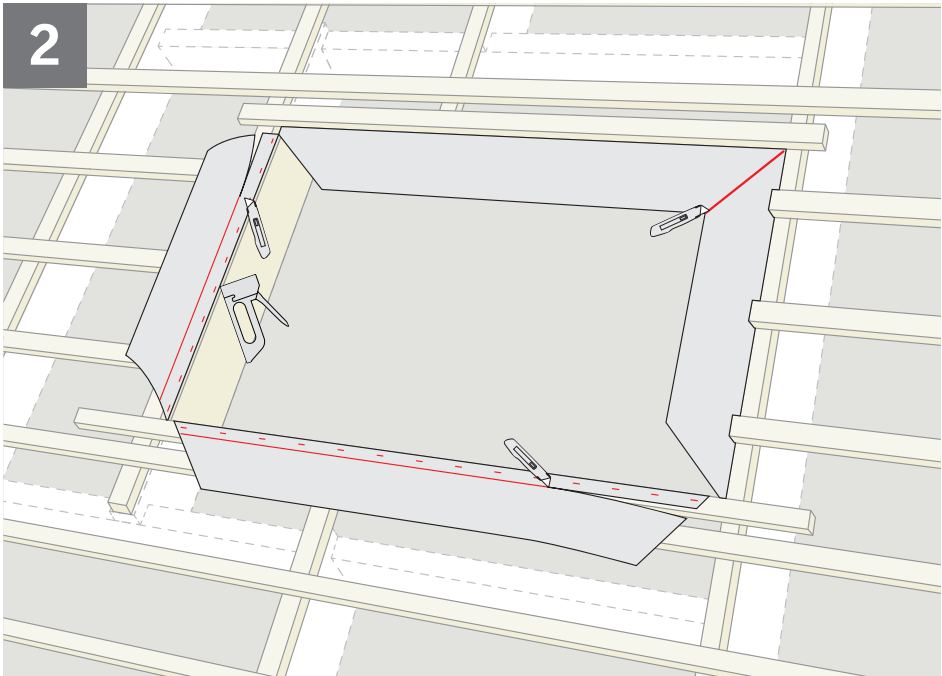
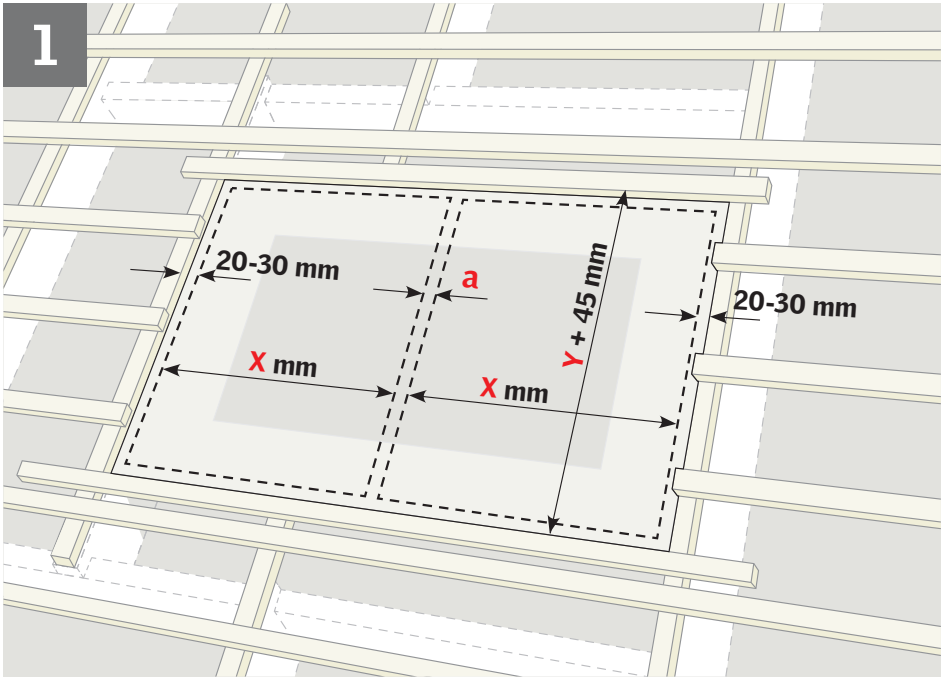


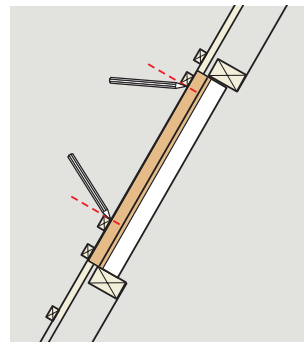
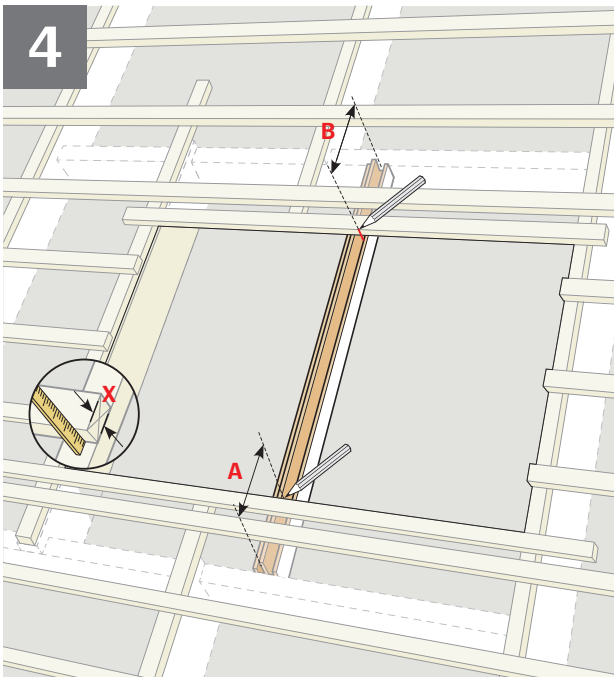
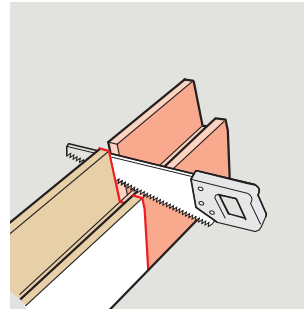
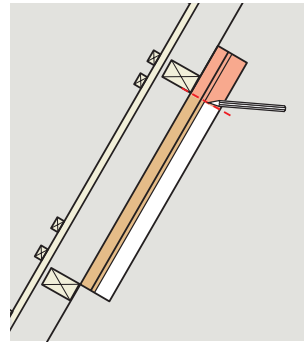
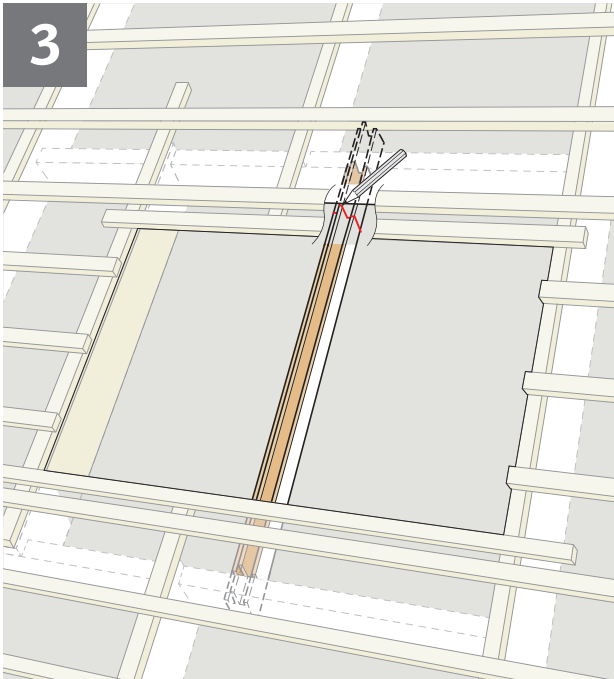
VAS 453464-2013-04



2 VELUX

6 x 17 felter (17,333 x 7,176 mm), mellemrum 4mm.

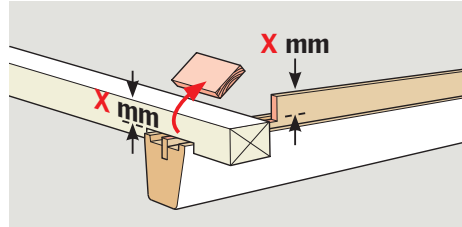
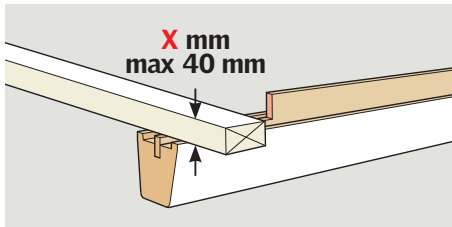
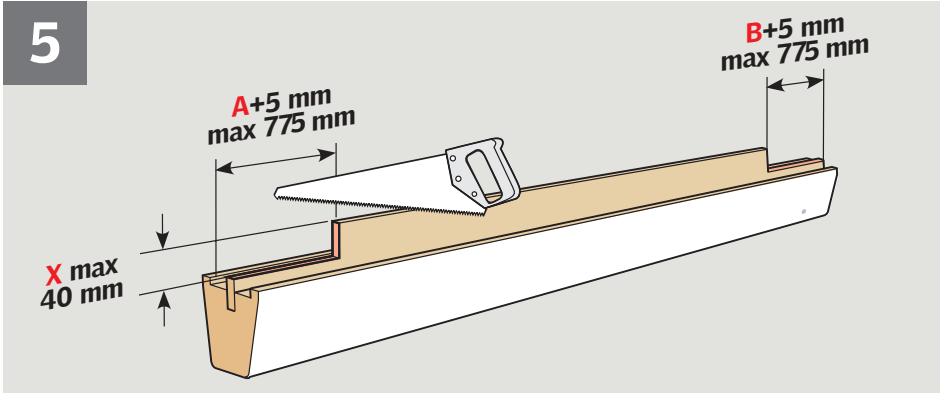




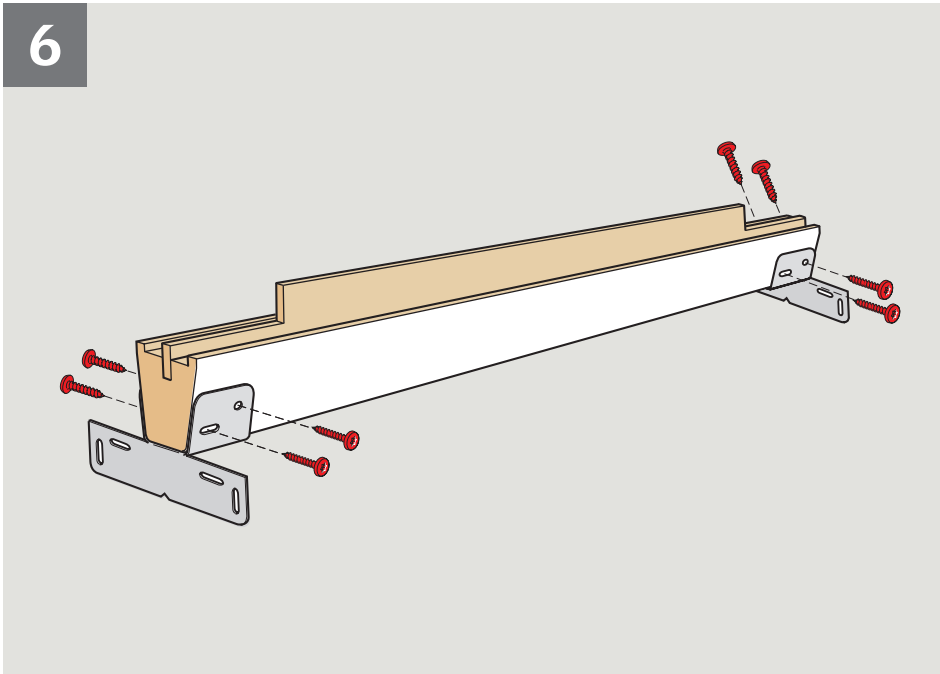
4 VELUX

6 x 17 felter (17,333 x 7,176 mm) mellemrum 4mm.

5

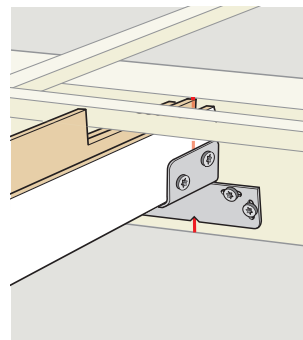
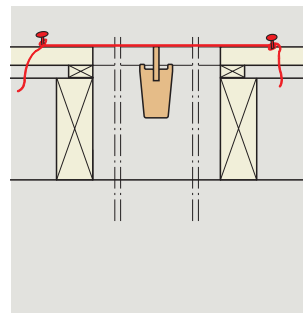
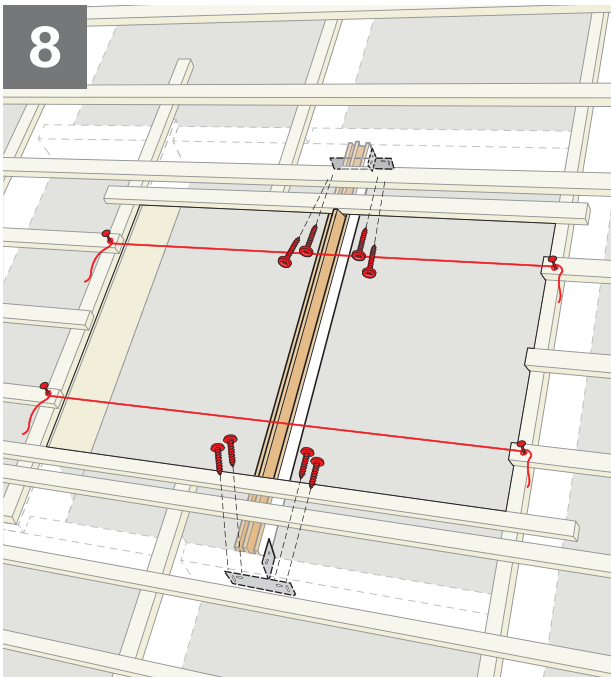
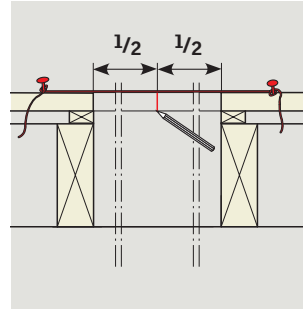
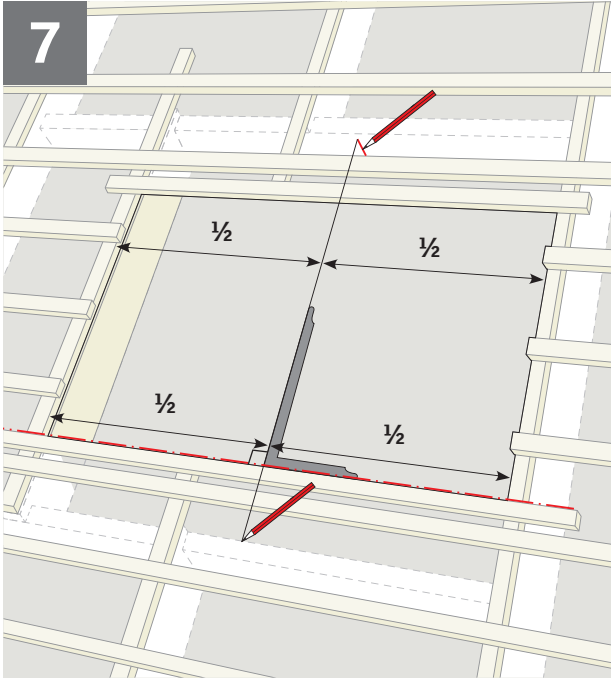


6



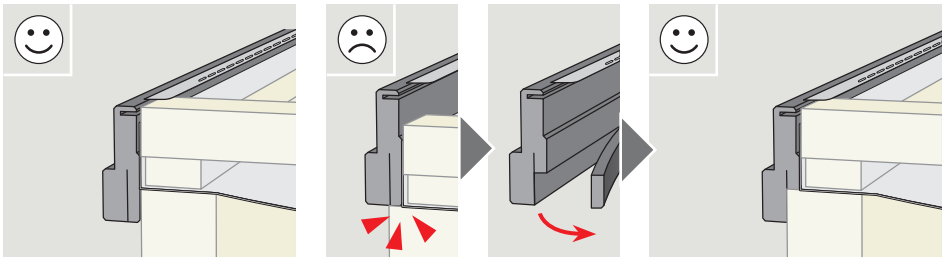
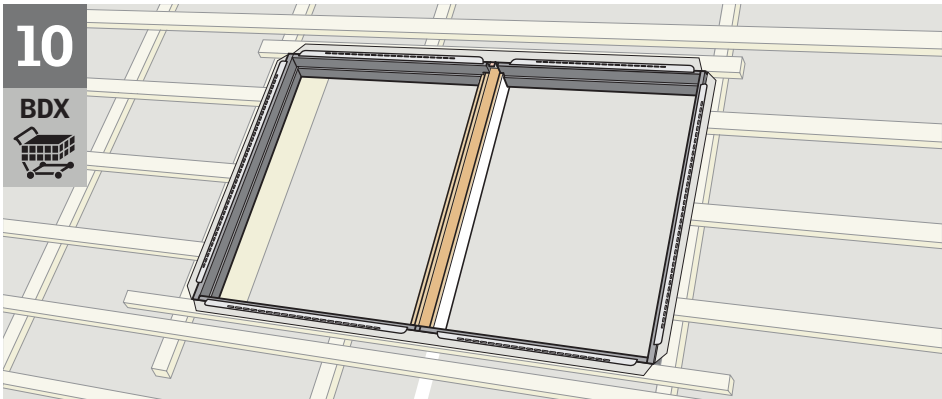
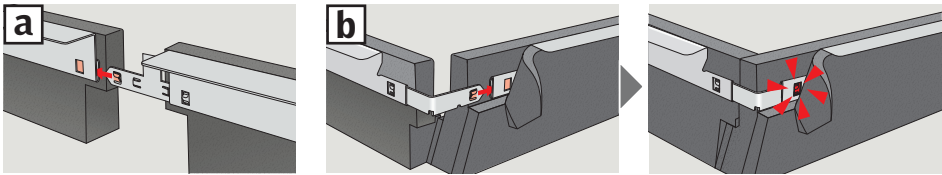
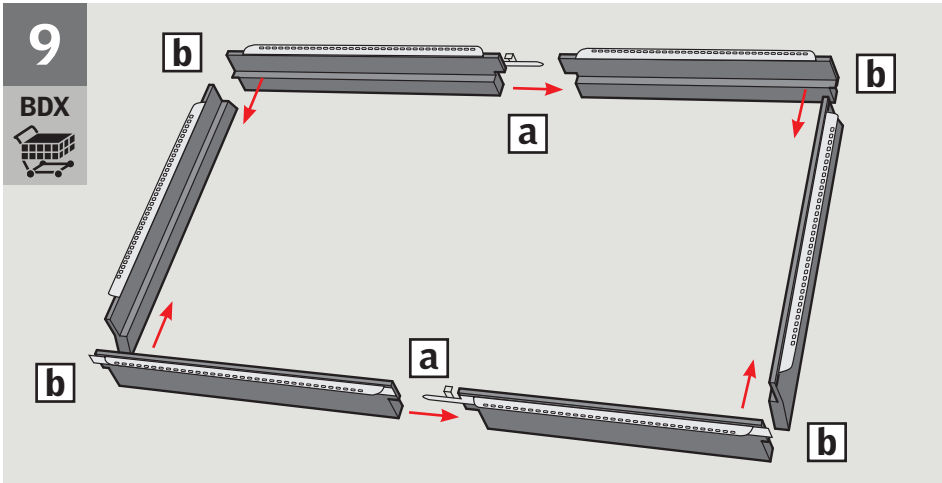
5 VELUX

6 x 17 felter (17,333 x 7,176 mm), mellemrum 4mm.



6 VELUX

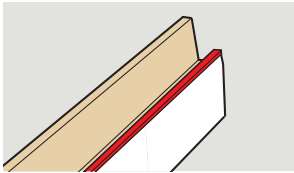
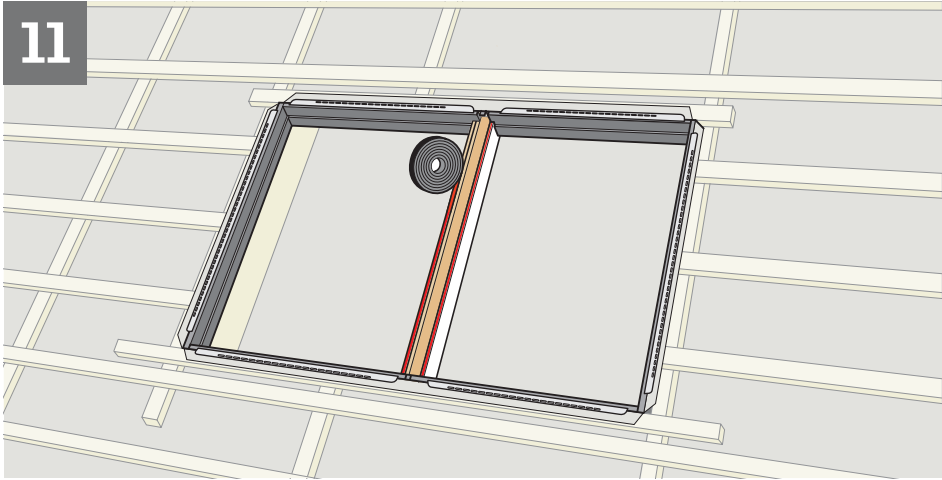
6 x 17 felter (17,333 x 7,176 mm) mellemrum 4mm.



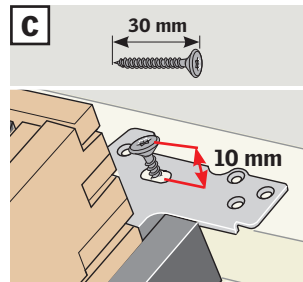
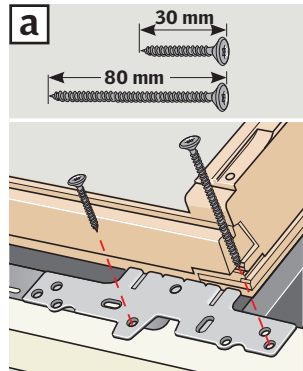
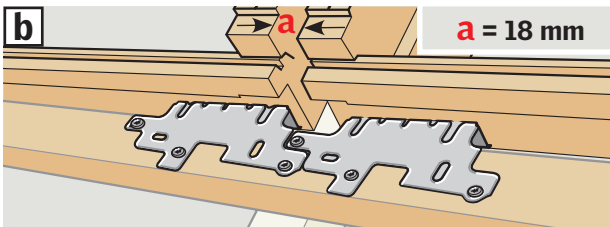
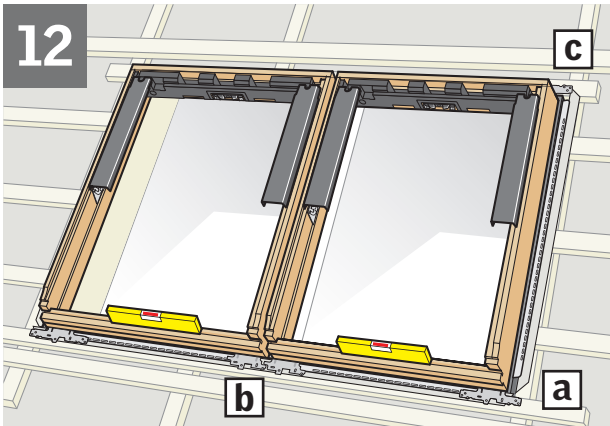
7 VELUX

6 x 17 felter (17,333 x 7,176 mm), mellemrum 4mm.

11



12



8 VELUX

6 x 17 felter (17,333 x 7,176 mm) mellemrum 4mm.